

K

Convenience/Drop-In Sinks

Model: _____

Item #: _____ Quantity: _____

Project: _____



Approved By: _____

**Metal
Corporation**

257 Verona Ave. Newark, New Jersey 07104

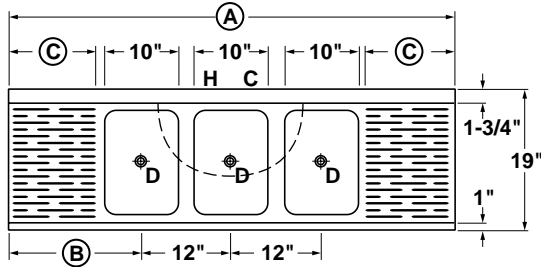
Phone: 800-631-0442

NJ: 973-485-2611

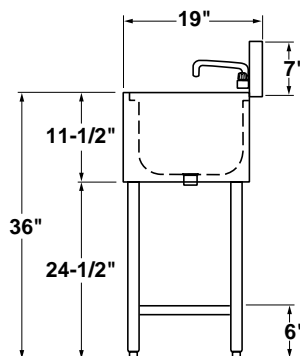
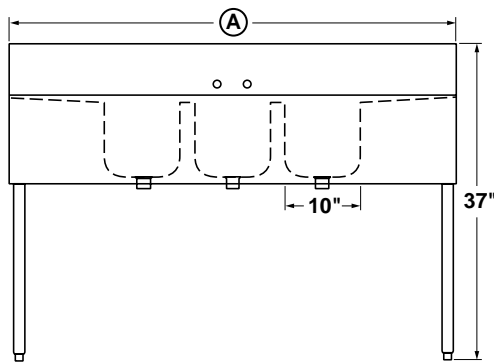
FAX: 973-485-1424

Model: _____ Item #: _____ Quantity: _____ Project: _____

Convenience Store Sink

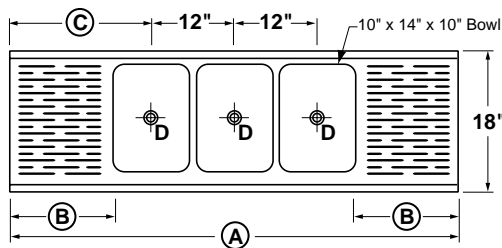


Model Numbers	Length (A)	Bowls	Left Side to Drain (B)	Drainboard Size (C)	Bowl(s) Location	Weight lbs
CS-1860	5'-0"	3	17"	12" (2 ea.)	Center	118
CS-1872	6'-0"	3	23"	18" (2 ea.)	Center	138

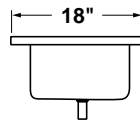
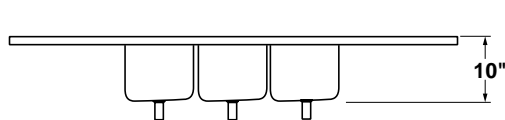


Mechanical Requirements:
 1/2" IPS Hot and Cold Connection
 3 1/2" IPS Drain Connection

Drop-In Sink



Model Numbers	Length (A)	Bowls	Drainboard (B)	Left Side to Drain (C)	Cutout Size	Weight lbs
D-42C	4'-3"	2	12" each	19"	15 1/2" x 24"	35
D-43L	4'-3"	3	12" right	6"	15 1/2" x 36"	44
D-43R	4'-3"	3	12" left	19"	15 1/2" x 36"	44
D-53C	5'-4"	3	12" each	19"	15 1/2" x 36"	50
D-63C	6'-1"	3	18" each	24"	15 1/2" x 36"	55
D-64C	6'-4"	4	12" each	19"	15 1/2" x 48"	54



Mechanical Requirements:
 1 1/2" IPS Drain Connection (Bar Sinks).

Approved By: _____

Due to our commitment to continued product improvement, specifications are subject to change without notice.