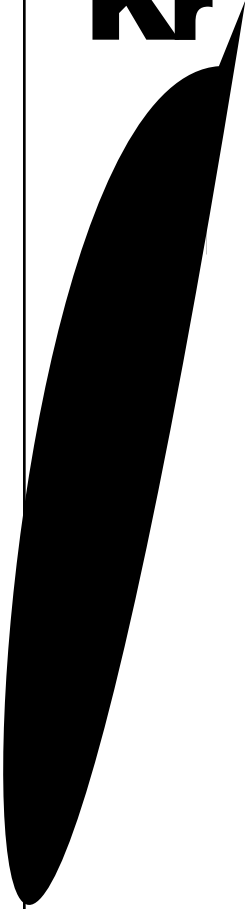




**Drop-In Sinks**

Model: \_\_\_\_\_  
Item #: \_\_\_\_\_ Quantity: \_\_\_\_\_  
Project: \_\_\_\_\_



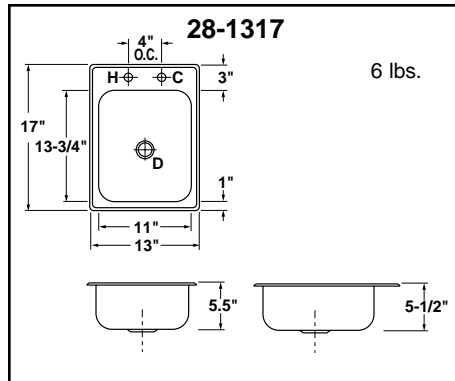
**Drop-In Sinks**

Approved By: \_\_\_\_\_

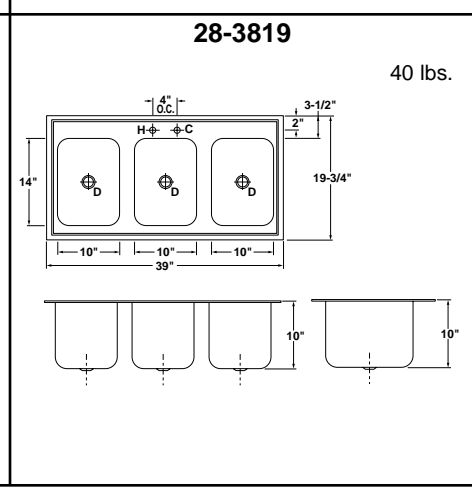
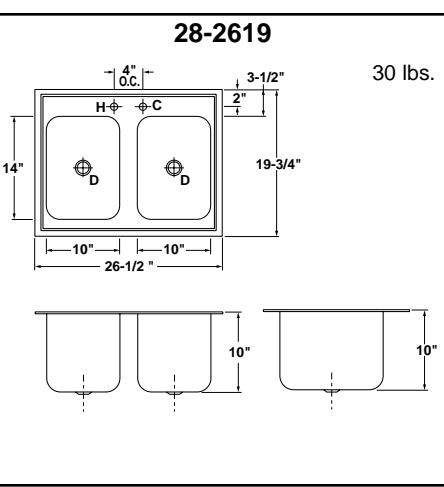
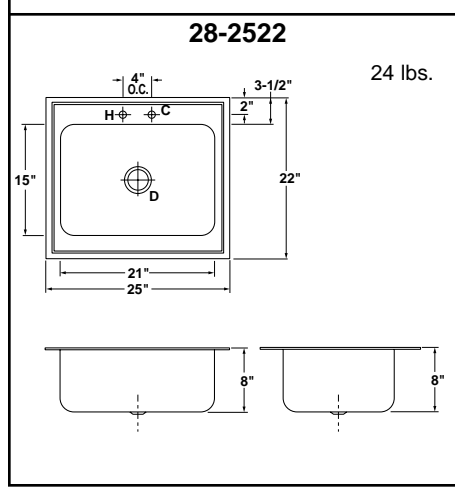
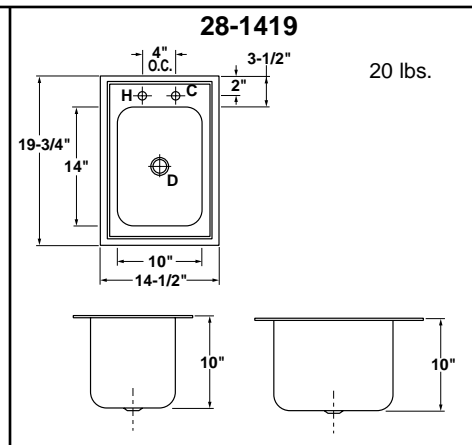
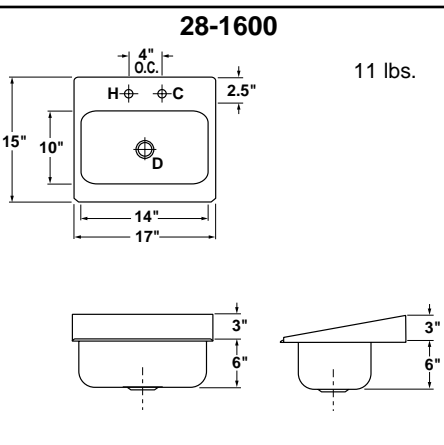
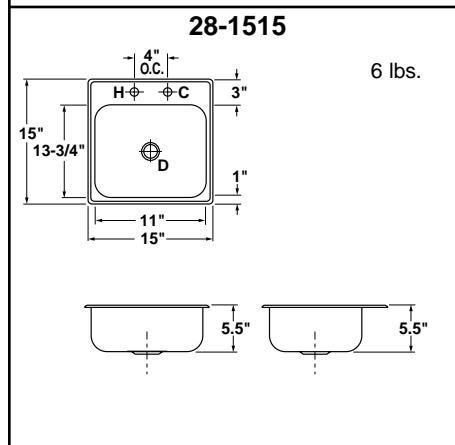
**Metal Corporation**

**Phone: 800-631-0442  
NJ: 973-485-2611  
FAX: 973-485-1424**

Model: \_\_\_\_\_ Item #: \_\_\_\_\_ Quantity: \_\_\_\_\_ Project: \_\_\_\_\_



Model Numbers	Bowl Dimension L x W x D	Overall Dimension L x W	Cutout Size 1 1/2" Radius	Drain Size	Weight lbs
28-1317	11" x 13 1/2" x 5 1/2"	13" x 17"	11 5/8" x 15 5/8"	1 1/2"	6
28-1515	13 1/2" x 11" x 5 1/2"	15" x 15"	14 1/4" x 14 1/4"	1 1/2"	6
28-1600	14" x 10" x 6"	17" x 15"	15" x 13 1/2"	1 1/2"	11
28-1419	10" x 14" x 10"	14 1/2" x 19 3/4"	11" x 17"	1 1/2"	20
28-2522	21" x 15" x 8"	25" x 22"	24 1/4" x 24 1/4"	1 1/2"	24
28-2619	10" x 14" x 10" (2)	26 1/2" x 19 3/4"	23" x 17"	1 1/2"	30
28-3819	10" x 14" x 10" (3)	39" x 19 3/4"	36" x 17"	1 1/2"	40



**Options:** check box(es) for required option(s)

- |  |   |
|--|---|
| <input type="checkbox"/> H-100 Faucet Upgrade                  | <input type="checkbox"/> H-103 Wrist Handle Kit             |
| <input type="checkbox"/> H-101 1 1/2" IPS Chrome Plated P-Trap | <input type="checkbox"/> H-104 Wall Mount Soap Dispenser    |
| <input type="checkbox"/> H-102 Wrist Handle Faucet             | <input type="checkbox"/> H-105 Wall Mounted Towel Dispenser |

Approved By: \_\_\_\_\_

Due to our commitment to continued product improvement, specifications are subject to change without notice.